

TECHNICAL DATA SHEET

PURlogic® Top single-component gun foam

Art. no. 0892 142 1

P. Qty.: 15

1-component gun foam for a variety of applications

PURlogic® Top is a ready-to-use, single-component, self-expanding rigid polyurethane foam to be processed with an appropriate foam gun. The foam has excellent assembly properties as it can be applied exactly and economically thanks to the dosing gun. Adheres excellently to almost all building substrates such as concrete, stone, hard PVC, metal and wood. Does not adhere to polyethylene, PTFE, grease and silicone. PURlogic® TOP is extremely dimensionally stable, there is no volume shrinkage and post-expansion is low as soon as the product has fully cured. Furthermore, it has higher sound and thermal insulation properties than mineral wool, cork and fibreglass. It hardens quickly, is resistant to ageing and does not rot, but is not UV resistant; HCFC- and CFC-free. The propellant does not cause any harm to the ozone layer.

Properties examined in independent test institutes:

- Component testing: Fulfils all structural-physical requirements in old and new buildings, inspected by Gewerbliche Akademie für Glas-, Fenster- und Fassadentechnik (Commercial Academy for Glass, Window and Facade Technology) in Karlsruhe, Germany.
- Joint sound insulation: $R(ST,w) = 60$ dB according to EN ISO 717-1, tested by ift Rosenheim
- Thermal conductivity: Reduced heat loss at $0.0362/(mK)$ according to DIN 52612, tested by MPA in Hanover
- Air permeability: Prevents draughts, tested according to DIN 18542 by ift Rosenheim
- Water vapour permeability: Tested water vapour diffusion resistance of 20μ according to DIN EN ISO 12572 by ift Rosenheim
- General test certificate issued by construction authorities: Corresponds to material class B2 according to DIN 4102, Part 1, tested by Material Testing Institute in Leipzig

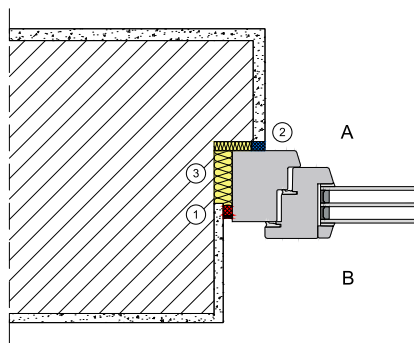


TECHNICAL DATA SHEET

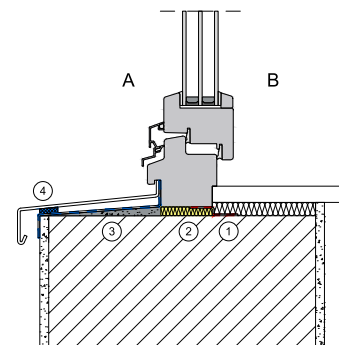
Chemical basis	Single component polyurethane
Colour	Light ivory
Smell/fragrance	Characteristic
Moulded density	12 kg/m ³
Conditions for moulded density	tested in accordance with Würth test methods
Cell structure	Medium - fine
Cell structure conditions	tested in accordance with Würth test methods
Tack-free after	7 min
Conditions for being tack-free	at 23 °C and 50% humidity
Can be cut after	40 min
Conditions for ability to cut	at 23 °C and 50% relative humidity
Final spreading possible after	2 h
Conditions for final spreading	for 30-mm foam bead
Full resilience	12 h
Conditions for full resilience	at 20 °C and 65% relative humidity
Min. processing temperature	5 °C
Max. processing temperature	25 °C
Min. ambient processing temperature	-5 °C
Max. ambient processing temperature	30 °C
Min. surface processing temperature	-5 °C
Max. surface processing temperature	30 °C
Min. processing temperature for can	5 °C
Max. processing temperature for can	25 °C
Min. temperature resistance	-40 °C
Max. temperature resistance	90 °C
Building material class	B2 - Normally inflammable
Building material class conditions	in accordance with DIN 4102
Heat conductance λ	0.036 W/(m*K)
Heat conductance λ conditions	in accordance with DIN 52612
Water absorption (%)	0.3 Vol.%
Water absorption conditions	in accordance with DIN 53433
Compression strength	2 N/cm ²
Compression strength conditions	based on DIN 53421 at 10% compression

TECHNICAL DATA SHEET

Min. combined tension and shear resistance	12 N/cm ²
Conditions for combined tension and shear resistance	in accordance with DIN 53427
Min. tensile strength	8 N/mm ²
Conditions for tensile strength	based on DIN 53430
Ultraviolet resistance	No
Elongation at break	20 %
Breaking elongation	20 %
Breaking elongation conditions	in accordance with DIN 53571
Elongation at break conditions	based on DIN 53430
Yield (volume) approx.	40 l
Contents	500 ml
Container	Can
Number per pallet	825 PCS
Weight of content	475 g
Resistance against	Aging
HCFC-free	Yes
CFC (fuel gas) free	Yes

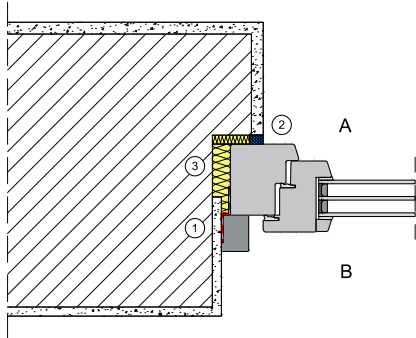


1. PE backfill material, cut-resistant round cord, paint acrylic
2. Sealing tape VKP PLUS, sealing tape VKP MAX
3. 1C gun foam PURLOGIC Top, 1C gun foam PURLOGIC Flex

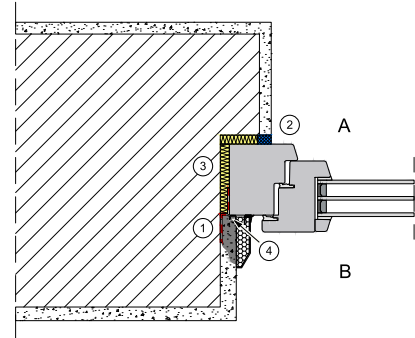


1. Window sealing tape Universal Euraseal U-305, window sealing tape Universal Euraseal U-100, window sealing tape inside Euraseal I-300, window sealing tape Universal Euraseal U-300
2. PURLOGIC Top 1C gun foam, PURLOGIC Flex 1C gun foam
3. EPDM sealing tape, outside SK, EPDM sealing tape, outside 0.8 mm butyl, EPDM sealing tape, outside
4. Sealing tape VKP PLUS, sealing tape VKP MAX

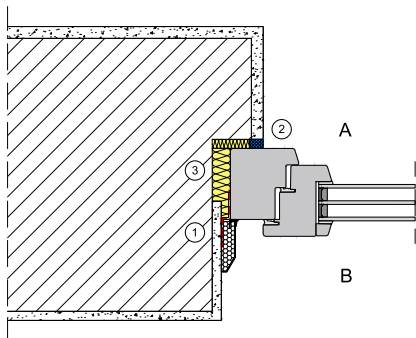
TECHNICAL DATA SHEET



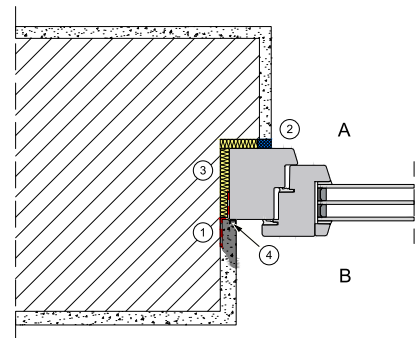
1. Window sealing tape Universal Euraseal U-305, window sealing tape Universal Euraseal U-101, window sealing tape inside Euraseal I-300, window sealing tape Universal Euraseal U-300
2. Sealing tape VKP PLUS, sealing tape VKP MAX
3. 1C gun foam PURLOGIC Top, 1C gun foam PURLOGIC Flex



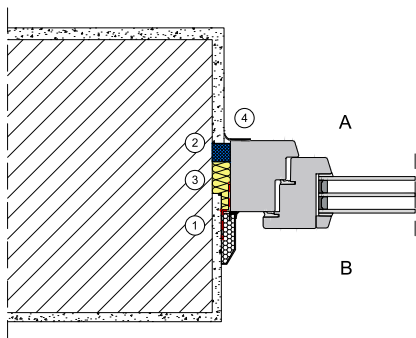
1. Window sealing tape Universal Euraseal U-305, window sealing tape Universal Euraseal U-102, window sealing tape inside Euraseal I-300, window sealing tape Universal Euraseal U-300
2. Sealing tape VKP PLUS, sealing tape VKP MAX
3. 1C gun foam PURLOGIC Top, 1C gun foam PURLOGIC Flex
4. Standard render bead



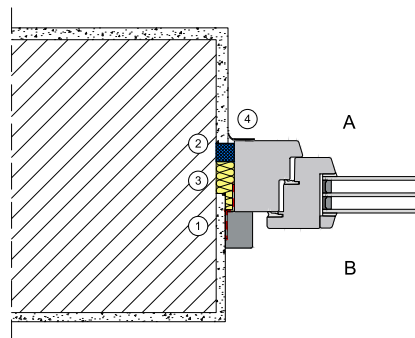
1. Window sealing tape Universal Euraseal U-305, window sealing tape Universal Euraseal U-103, window sealing tape inside Euraseal I-300, window sealing tape Universal Euraseal U-300
2. Sealing tape VKP PLUS, sealing tape VKP MAX
3. 1C gun foam PURLOGIC Top, 1C gun foam PURLOGIC Flex



1. Window sealing tape Universal Euraseal U-305, window sealing tape Universal Euraseal U-104, window sealing tape inside Euraseal I-300, window sealing tape Universal Euraseal U-300
2. Sealing tape VKP PLUS, sealing tape VKP MAX
3. 1C gun foam PURLOGIC Top, 1C gun foam PURLOGIC Flex
4. Standard render bead

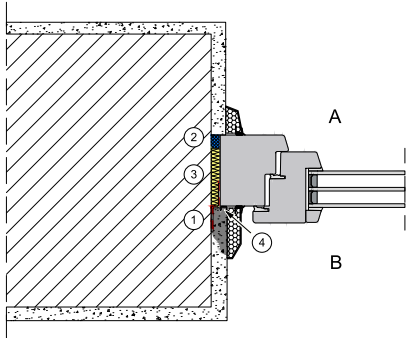


1. Window sealing tape Universal Euraseal U-305, window sealing tape Universal Euraseal U-105, window sealing tape inside Euraseal I-300, window sealing tape Universal Euraseal U-300
2. Sealing tape VKP PLUS, sealing tape VKP MAX
3. 1C gun foam PURLOGIC Top, 1C gun foam PURLOGIC Flex
4. Flat strip with lip

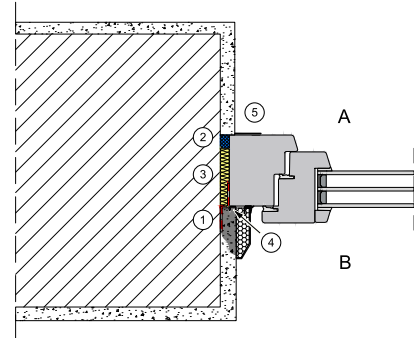


1. Window sealing tape Universal Euraseal U-305, window sealing tape Universal Euraseal U-106, window sealing tape inside Euraseal I-300, window sealing tape Universal Euraseal U-300
2. Sealing tape VKP PLUS, sealing tape VKP MAX
3. 1C gun foam PURLOGIC Top, 1C gun foam PURLOGIC Flex
4. Flat strip with lip

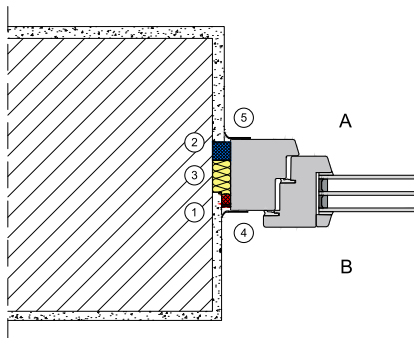
TECHNICAL DATA SHEET



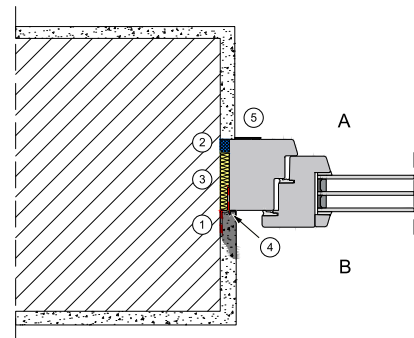
1. Window sealing tape Universal Euraseal U-305, window sealing tape Universal Euraseal U-107, window sealing tape inside Euraseal I-300, window sealing tape Universal Euraseal U-300
2. Sealing tape VKP PLUS, sealing tape VKP MAX
3. 1C gun foam PURLOGIC Top, 1C gun foam PURLOGIC Flex
4. Standard render bead



1. Window sealing tape Universal Euraseal U-305, window sealing tape Universal Euraseal U-108, window sealing tape inside Euraseal I-300, window sealing tape Universal Euraseal U-300
2. Sealing tape VKP PLUS, sealing tape VKP MAX
3. 1C gun foam PURLOGIC Top, 1C gun foam PURLOGIC Flex
4. Render bead Standard
5. Flat strip with lip

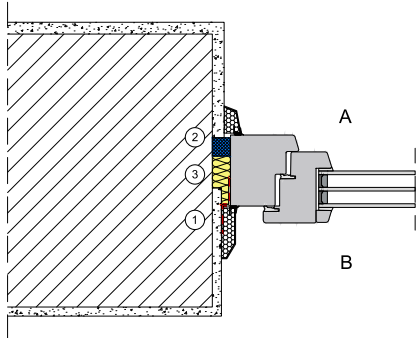


1. PE backfill sealant
2. Sealing tape VKP PLUS, sealing tape VKP MAX
3. 1C gun foam PURLOGIC Top, 1C gun foam PURLOGIC Flex
4. Flat strip with lip

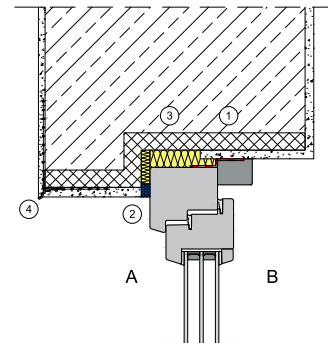


1. Window sealing tape Universal Euraseal U-305, window sealing tape Universal Euraseal U-109, window sealing tape inside Euraseal I-300, window sealing tape Universal Euraseal U-300
2. Sealing tape VKP PLUS, sealing tape VKP MAX
3. 1C gun foam PURLOGIC Top, 1C gun foam PURLOGIC Flex
4. Standard render bead
5. Flat strip with lip

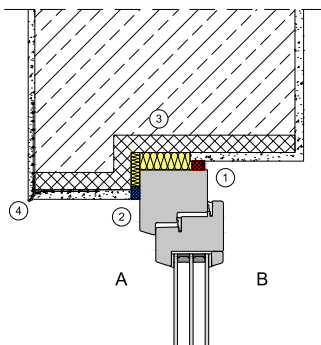
TECHNICAL DATA SHEET



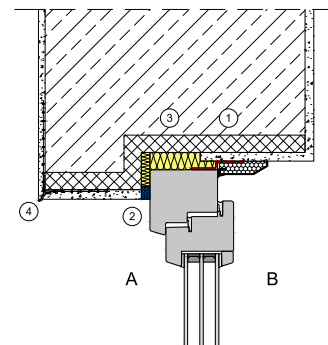
1. Window sealing tape Universal Euraseal U-305, window sealing tape Universal Euraseal U-110, window sealing tape inside Euraseal I-300, window sealing tape Universal Euraseal U-300
2. Sealing tape VKP PLUS, sealing tape VKP MAX
3. IC gun foam PURLOGIC Top, IC gun foam PURLOGIC Flex



1. Window sealing tape Universal Euraseal U-305, window sealing tape Universal Euraseal U-111, window sealing tape inside Euraseal I-300, window sealing tape Universal Euraseal U-300
2. Sealing tape VKP PLUS, sealing tape VKP MAX
3. IC gun foam PURLOGIC Top, IC gun foam PURLOGIC Flex
4. Drip edge profile UP

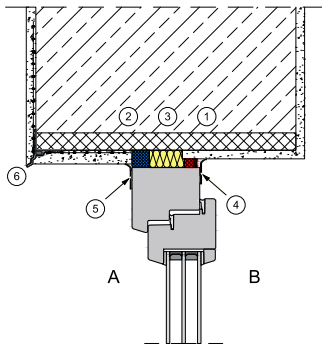


1. PE backfill sealant
2. Sealing tape VKP PLUS, sealing tape VKP MAX
3. IC gun foam PURLOGIC Top, IC gun foam PURLOGIC Flex
4. Drip edge profile UP

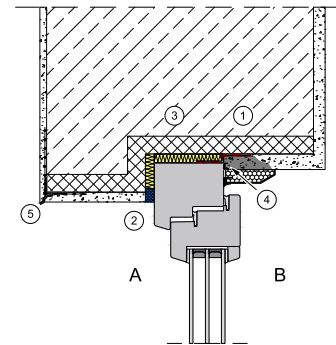


1. Window sealing tape Universal Euraseal U-305, window sealing tape Universal Euraseal U-112, window sealing tape inside Euraseal I-300, window sealing tape Universal Euraseal U-300
2. Sealing tape VKP PLUS, sealing tape VKP MAX
3. IC gun foam PURLOGIC Top, IC gun foam PURLOGIC Flex
4. Drip edge profile UP

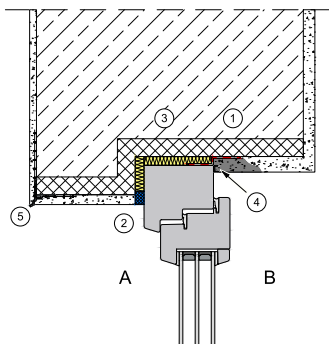
TECHNICAL DATA SHEET



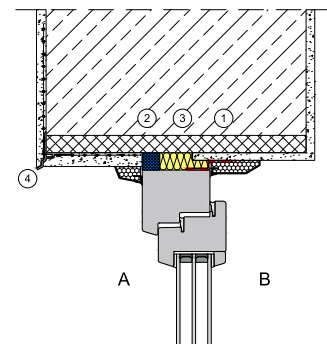
1. PE backfill sealant
2. Sealing tape VKP PLUS, sealing tape VKP MAX
3. 1C gun foam PURLOGIC Top, 1C gun foam PURLOGIC Flex
4. Flat strip with outer seal, flat strip with seal
5. Drip edge profile UP



1. Window sealing tape Universal Euraseal U-305, window sealing tape Universal Euraseal U-113, window sealing tape inside Euraseal I-300, window sealing tape Universal Euraseal U-300
2. Sealing tape VKP PLUS, sealing tape VKP MAX
3. 1C gun foam PURLOGIC Top, 1C gun foam PURLOGIC Flex
4. Standard render bead
5. Drip edge profile UP

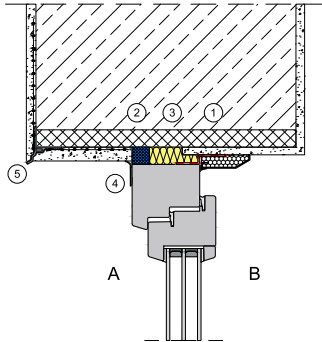


1. Window sealing tape Universal Euraseal U-305, window sealing tape Universal Euraseal U-114, window sealing tape inside Euraseal I-300, window sealing tape Universal Euraseal U-300
2. Sealing tape VKP PLUS, sealing tape VKP MAX
3. 1C gun foam PURLOGIC Top, 1C gun foam PURLOGIC Flex
4. Standard render bead
5. Drip edge profile UP

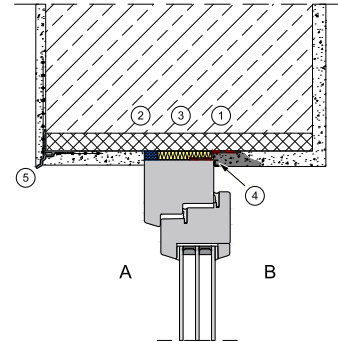


1. Window sealing tape Universal Euraseal U-305, window sealing tape Universal Euraseal U-115, window sealing tape inside Euraseal I-300, window sealing tape Universal Euraseal U-300
2. Sealing tape VKP PLUS, sealing tape VKP MAX
3. 1C gun foam PURLOGIC Top, 1C gun foam PURLOGIC Flex
4. Drip edge profile UP

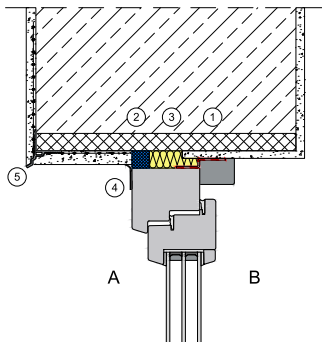
TECHNICAL DATA SHEET



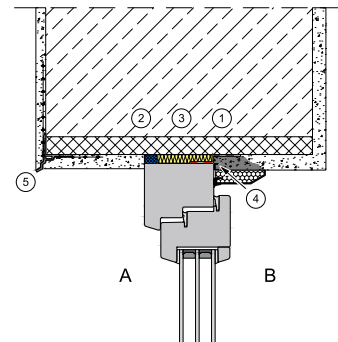
1. Window sealing tape Universal Euraseal U-305, window sealing tape Universal Euraseal U-116, window sealing tape inside Euraseal I-300, window sealing tape Universal Euraseal U-300
2. Sealing tape VKP PLUS, sealing tape VKP MAX
3. IC gun foam PURLOGIC Top, IC gun foam PURLOGIC Flex
4. Flat strip with lip
5. Drip edge profile UP



1. Window sealing tape Universal Euraseal U-305, window sealing tape Universal Euraseal U-117, window sealing tape inside Euraseal I-300, window sealing tape Universal Euraseal U-300
2. Sealing tape VKP PLUS, sealing tape VKP MAX
3. IC gun foam PURLOGIC Top, IC gun foam PURLOGIC Flex
4. Standard render bead
5. Drip edge profile UP

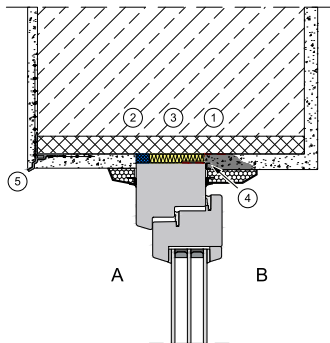


1. Window sealing tape Universal Euraseal U-305, window sealing tape Universal Euraseal U-118, window sealing tape inside Euraseal I-300, window sealing tape Universal Euraseal U-300
2. Sealing tape VKP PLUS, sealing tape VKP MAX
3. IC gun foam PURLOGIC Top, IC gun foam PURLOGIC Flex
4. Flat strip with lip
5. Drip edge profile UP



1. Window sealing tape Universal Euraseal U-305, window sealing tape Universal Euraseal U-119, window sealing tape inside Euraseal I-300, window sealing tape Universal Euraseal U-300
2. Sealing tape VKP PLUS, sealing tape VKP MAX
3. IC gun foam PURLOGIC Top, IC gun foam PURLOGIC Flex
4. Standard render bead
5. Drip edge profile UP

TECHNICAL DATA SHEET



1. Window sealing tape Universal Euraseal U-305, window sealing tape Universal Euraseal U-120, window sealing tape inside Euraseal I-300, window sealing tape Universal Euraseal U-300
2. Sealing tape VKP PLUS, sealing tape VKP MAX
3. IC gun foam PURLOGIC Top, IC gun foam PURLOGIC Flex
4. Standard render bead
5. Drip edge profile UP

Application area

High-quality and safe insulating and filling of window joints, window sill joints, pipe openings, joints, wall joints, wall openings and cavities. Colour provides visual confirmation of installation.

TECHNICAL DATA SHEET

Technical overview table for Purlogic® PU foams and spray cork																		
Technical properties								Main area of application										
Würth product Art. no.	Freefoaming yield up to ...	Adhesive-free at +20 °C from ... min	Can be cut from ... min	Can be spread from ... min (curing)	Can be processed from ... °C (substrate/environment)	Can be processed from ... °C (can temperature)	UV-resistant	Building material class in accordance with DIN 4102	Thermal sealing between window frame and wall	Sound insulation in window joints	Sound insulation in door frames	Fixing and filling on door frames	Filling, sealing and insulating cavities	Sealing and filling connection joints in roof elements	Filling pipe penetrations	Installing baths and shower trays	Bonding stairs	
PURLOGIC® TOP 0892 142 0892 142 1	40 l	7	40	-	-5	+5	No	B2	√	√	○	○	√	√	√	○	○	
PURLOGIC® Flex 0892 142 8	18 l	6	20	-	-15	0	No	B2	√	√	○	○	√	√	√	○	○	
PURLOGIC® EASY 0892 143	30 l	7	12	-	-5	+5	No	B2	√	√	○	○	√	√	√	○	○	
PURLOGIC® FAST 0892 144	10 l	7	15	60	+10	+10	No	B2	√	√	√	√	√	√	√	√	○	
PURLOGIC® SPRINT 0892 146	4.3 l	3	9	20	+10	+10	No	B2	○	○	√	√	○	○	○	○	√	
PURLOGIC® Turbo 0892 147	5.5 l	1,5	5	20	+10	+10	No	B2	○	○	√	√	○	○	○	○	○	
Dispersion spray cork 0892 140	500 ml	x	x	-	+5	+5	Yes	B2	√	√	○	○	√	√	○	○	○	
PURLOGIC® Premium 0892 142 4	50 l	7	40	-	-5	+5	No	B1	√	√	○	○	√	√	√	○	○	
PURLOGIC® Easywhite 0892 143 300	25 l	15	60	-	+5	+5	No	B1	√	√	○	○	√	√	√	○	○	

○ = not suitable
√ = suitable

Application information

Shake can vigorously 20 times before use. Surfaces must be clean, solid and free from dust and grease. Pre-treat highly absorbent surfaces. Adhesion surfaces must be moistened with water before the foam is applied. Moisten again if several foam beads are applied. Screw the can all the way into the gun support - do not screw too far or tilt. Foam continues to expand after application. Immediately remove splashes of foam with PURlogic® Clean, art. no. 0892 160. Thoroughly clean the gun and valve after use. Always leave the open can screwed onto the gun. The contents of the can must be used within 4 weeks.

TECHNICAL DATA SHEET

Proof of performance

Perimeter sealing systems according to ift certification programme QM360: 2014, Reg. no. 188 7050098

EMICODE EC1plus: Very low emissions: The EMICODE classification system distinguishes the environmental and health compatibility of construction products. The lowest-emission products bear the EC1plus mark.



Notice

Meets RAL requirements for middle layer insulation.

Primer should be applied to porous and absorbent substrates. PURlogic® TOP can be used in the PURlogic® Xpress, art. no. 0891 152 4 foam guns. Other guns are not compatible!

Fugenschalldämmmaß: RST,w (C;Ctr)	
61 (-1;-3) dB	30 mm Fugenbreite, DIN 52210
59 (-6;-4) dB	10 mm Fugenbreite, DIN 52210

The usage instructions are recommendations based on the tests we have conducted and on our experience; carry out your own tests before each application. Due to the large number of applications and storage and processing conditions, we do not assume any liability for a specific application result. If our free customer service provides technical information or acts as an advisory service, no responsibility is assumed by this service except where the advice or information given falls within the scope of our specified, contractually agreed service or the advisor was acting deliberately. We guarantee the consistent quality of our products. We reserve the right to make technical changes and further develop products.

TECHNISCHES DATENBLATT

1K-Pistolenschaum PURLOGIC® Top

Art.-Nr. 0892 142 1

VE: 15

1K-Pistolenschaum für eine Vielzahl von Anwendungen

Der PURlogic® Top ist ein gebrauchsfertiger, einkomponentiger, selbstexpandierender Polyurethanhartschaum zur Verarbeitung mit einer entsprechenden Schaumpistole. Dadurch verfügt er über hervorragende Montageeigenschaften, da durch die Dosierpistole exakt und sparsam dosiert werden kann. Er besitzt eine ausgezeichnete Haftung auf fast allen Bauuntergründen wie Beton, Stein, Hart-PVC, Metall und Holz. Keine Haftung auf Polyethylen, PTFE, Fett und Silikon. Der PURlogic® TOP hat eine hervorragende Formstabilität, d.h. kein Volumenschwund und nur geringe Nachdehnung sobald die Aushärtung abgeschlossen ist. Des Weiteren besitzt er eine höhere Schall- und Wärmedämmung als Mineralwolle, Kork und Fiberglas. Er härtet schnell durch, ist alterungsbeständig, unverrottbar, aber nicht UV-beständig, HFCKW- und FCKW-frei. Das Treibgas ist für die Ozonschicht vollständig unschädlich.

In unabhängigen Prüfinstituten geprüfte Eigenschaften:

- Bauteilprüfung: Erfüllt alle bauphysikalischen Anforderungen im Alt- und Neubau, geprüft von der Gewerblichen Akademie für Glas-, Fenster- und Fassadentechnik in Karlsruhe.
- Fugenschalldämmung: $R(ST,w)=60$ dB nach EN ISO 717-1, geprüft vom ift Rosenheim
- Wärmeleitfähigkeit: Reduziert Wärmeverlust bei 0,0362/(mK) nach DIN 52612 geprüft von der MPA- Hannover
- Luftdurchlässigkeit: Verhindert Luftzug, geprüft in Anlehnung an DIN 18542 vom ift Rosen
- Wasserdampfdurchlässigkeit: Geprüfte Wasserdampfdiffusionswiderstandszahl von 20μ nach DIN EN ISO 12572 vom ift Rosenheim
- Allgemeines bauaufsichtliches Prüfzeugnis: Baustoffklasse B2 nach DIN 4102, Teil1, geprüft von der MPFA-Leipzig

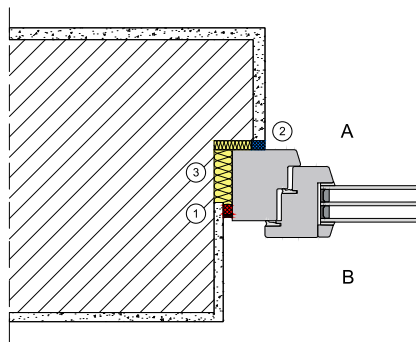


TECHNISCHES DATENBLATT

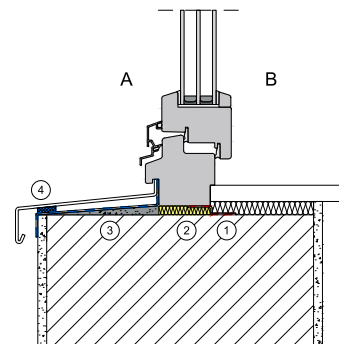
Chemische Basis	1-Komponenten-Polyurethan
Farbe	Hellelfenbein
Geruch/Duft	Charakteristisch
Rohdichte	12 kg/m ³
Rohdichte Bedingung	geprüft nach Würth Prüfmethoden
Zellstruktur	Mittel - fein
Zellstruktur Bedingung	geprüft nach Würth Prüfmethoden
Klebfrei nach	7 min
Klebfrei Bedingung	bei 23 °C und 50% Luftfeuchtigkeit
Schneidbar nach	40 min
Schneidbarkeit Bedingung	bei 23 °C und 50% relative Luftfeuchtigkeit
Entspreizbar nach	2 h
Entspreizbar Bedingung	bei 30 mm Schaumstrang
Vollbelastbarkeit	12 h
Vollbelastbarkeit Bedingung	bei 20 °C und 65% relative Luftfeuchtigkeit
Verarbeitungstemperatur min.	5 °C
Verarbeitungstemperatur max.	25 °C
Verarbeitungstemperatur Umgebung min.	-5 °C
Verarbeitungstemperatur Umgebung max.	30 °C
Verarbeitungstemperatur Untergrund min.	-5 °C
Verarbeitungstemperatur Untergrund max.	30 °C
Verarbeitungstemperatur Dose min.	5 °C
Verarbeitungstemperatur Dose max.	25 °C
Temperaturbeständigkeit min.	-40 °C
Temperaturbeständigkeit max.	90 °C
Baustoffklasse	B2 - Normal entflammbar
Baustoffklasse Bedingung	nach DIN 4102
Wärmeleitfähigkeit λ	0,036 W/(m*K)
Wärmeleitfähigkeit λ Bedingung	nach DIN 52612
Wasseraufnahme (%)	0,3 Vol-%
Wasseraufnahme Bedingung	nach DIN 53433
Druckspannung	2 N/cm ²
Druckspannung Bedingung	anlehnend an DIN 53421 bei 10 % Stauchung
Zugscherfestigkeit min.	12 N/cm ²
Zugscherfestigkeit Bedingung	nach DIN 53427
Zugfestigkeit min.	8 N/mm ²
Zugfestigkeit Bedingung	anlehnend an DIN 53430
UV-Beständigkeit	Nein
Reißdehnung	20 %
Bruchdehnung	20 %
Bruchdehnung Bedingung	nach DIN 53571
Reißdehnung Bedingung	anlehnend an DIN 53430
Ausbeute (Volumen) ca.	40 l
Inhalt	500 ml

TECHNISCHES DATENBLATT

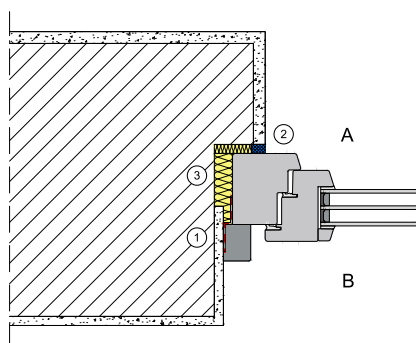
Gebinde	Dose
Anzahl pro Palette	825 STK
Inhaltsgewicht	475 g
Beständigkeit gegen	Alterung
HFCKW-frei	Ja
FCKW (Treibgas) frei	Ja



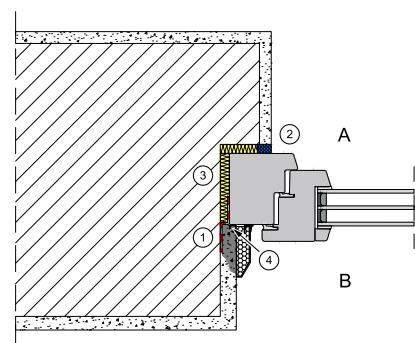
1. PE-Hinterfüllmaterial, Schnittfeste Rundschnur, Maleracryl
2. Dichtungsband VKP PLUS, Dichtungsband VKP MAX
3. 1K-Pistolenschaum PURLOGIC Top, 1K-Pistolenschaum PURLOGIC Flex



1. Fensterdichtband Universal Euraseal U-305, Fensterdichtband Universal Euraseal U-100, Fensterdichtband Innen Euraseal I-300, Fensterdichtband Universal Euraseal U-300
2. 1K-Pistolenschaum PURLOGIC Top, 1K-Pistolenschaum PURLOGIC Flex
3. EPDM-Dichtband Außen SK, EPDM-Dichtband Außen 0,8 mm Butyl, EPDM-Dichtband Außen
4. Dichtungsband VKP PLUS, Dichtungsband VKP MAX

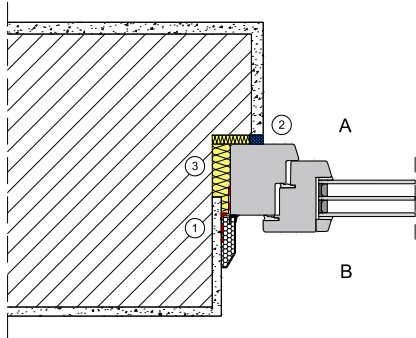


1. Fensterdichtband Universal Euraseal U-305, Fensterdichtband Universal Euraseal U-101, Fensterdichtband Innen Euraseal I-300, Fensterdichtband Universal Euraseal U-300
2. Dichtungsband VKP PLUS, Dichtungsband VKP MAX
3. 1K-Pistolenschaum PURLOGIC Top, 1K-Pistolenschaum PURLOGIC Flex

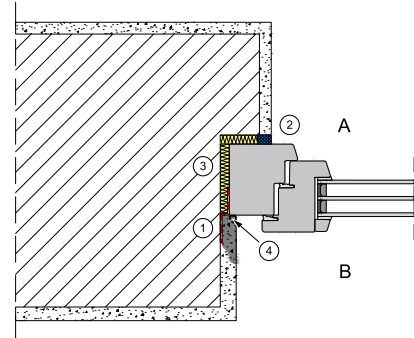


1. Fensterdichtband Universal Euraseal U-305, Fensterdichtband Universal Euraseal U-102, Fensterdichtband Innen Euraseal I-300, Fensterdichtband Universal Euraseal U-300
2. Dichtungsband VKP PLUS, Dichtungsband VKP MAX
3. 1K-Pistolenschaum PURLOGIC Top, 1K-Pistolenschaum PURLOGIC Flex
4. Anputzleiste Standard

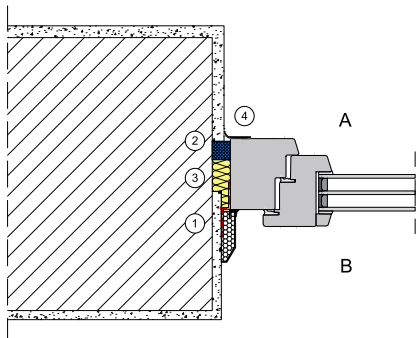
TECHNISCHES DATENBLATT



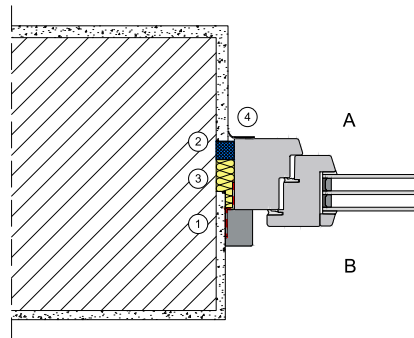
1. Fensterdichtband Universal Euraseal U-305, Fensterdichtband Universal Euraseal U-103, Fensterdichtband Innen Euraseal I-300, Fensterdichtband Universal Euraseal U-300
2. Dichtungsband VKP PLUS, Dichtungsband VKP MAX
3. 1K-Pistolenschäum PURLOGIC Top, 1K-Pistolenschäum PURLOGIC Flex



1. Fensterdichtband Universal Euraseal U-305, Fensterdichtband Universal Euraseal U-104, Fensterdichtband Innen Euraseal I-300, Fensterdichtband Universal Euraseal U-300
2. Dichtungsband VKP PLUS, Dichtungsband VKP MAX
3. 1K-Pistolenschäum PURLOGIC Top, 1K-Pistolenschäum PURLOGIC Flex
4. Anputzleiste Standard

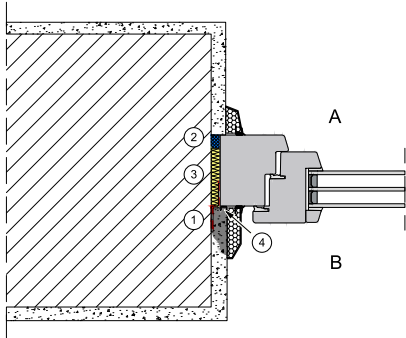


1. Fensterdichtband Universal Euraseal U-305, Fensterdichtband Universal Euraseal U-105, Fensterdichtband Innen Euraseal I-300, Fensterdichtband Universal Euraseal U-300
2. Dichtungsband VKP PLUS, Dichtungsband VKP MAX
3. 1K-Pistolenschäum PURLOGIC Top, 1K-Pistolenschäum PURLOGIC Flex
4. Flachleiste mit Lippe

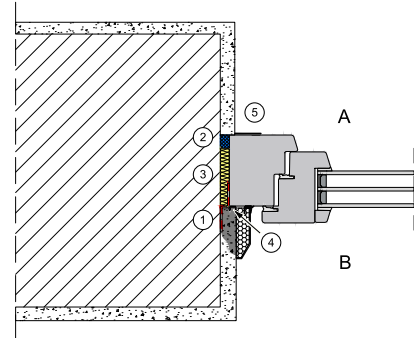


1. Fensterdichtband Universal Euraseal U-305, Fensterdichtband Universal Euraseal U-106, Fensterdichtband Innen Euraseal I-300, Fensterdichtband Universal Euraseal U-300
2. Dichtungsband VKP PLUS, Dichtungsband VKP MAX
3. 1K-Pistolenschäum PURLOGIC Top, 1K-Pistolenschäum PURLOGIC Flex
4. Flachleiste mit Lippe

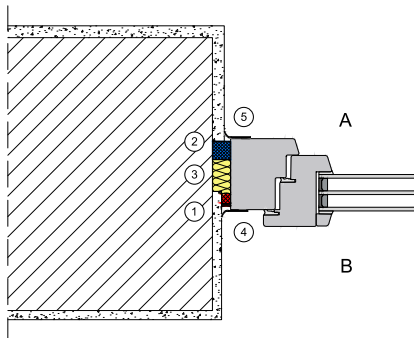
TECHNISCHES DATENBLATT



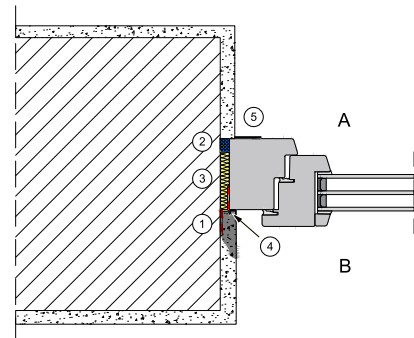
1. Fensterdichtband Universal Euraseal U-305, Fensterdichtband Universal Euraseal U-107, Fensterdichtband Innen Euraseal I-300, Fensterdichtband Universal Euraseal U-300
2. Dichtungsband VKP PLUS, Dichtungsband VKP MAX
3. 1K-Pistolenschaum PURLOGIC Top, 1K-Pistolenschaum PURLOGIC Flex
4. Anputzleiste Standard



1. Fensterdichtband Universal Euraseal U-305, Fensterdichtband Universal Euraseal U-108, Fensterdichtband Innen Euraseal I-300, Fensterdichtband Universal Euraseal U-300
2. Dichtungsband VKP PLUS, Dichtungsband VKP MAX
3. 1K-Pistolenschaum PURLOGIC Top, 1K-Pistolenschaum PURLOGIC Flex
4. Anputzleiste Standard
5. Flachleiste mit Lippe

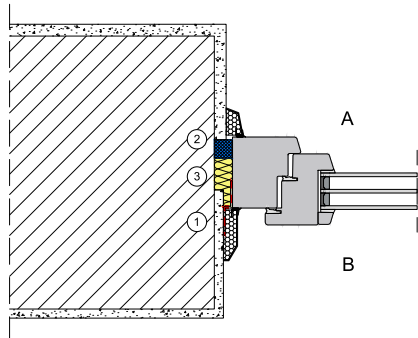


1. PE-Hinterfüllmaterial
2. Dichtungsband VKP PLUS, Dichtungsband VKP MAX
3. 1K-Pistolenschaum PURLOGIC Top, 1K-Pistolenschaum PURLOGIC Flex
4. Flachleiste mit Lippe

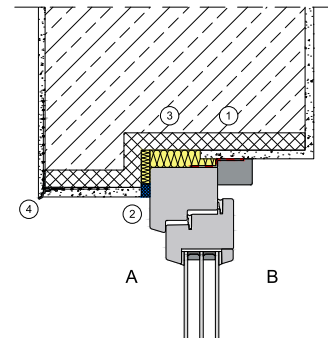


1. Fensterdichtband Universal Euraseal U-305, Fensterdichtband Universal Euraseal U-109, Fensterdichtband Innen Euraseal I-300, Fensterdichtband Universal Euraseal U-300
2. Dichtungsband VKP PLUS, Dichtungsband VKP MAX
3. 1K-Pistolenschaum PURLOGIC Top, 1K-Pistolenschaum PURLOGIC Flex
4. Anputzleiste Standard
5. Flachleiste mit Lippe

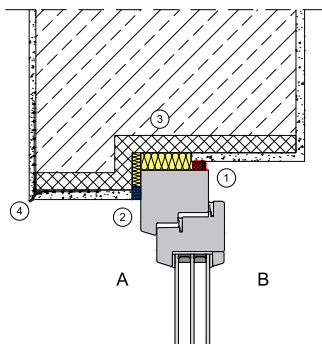
TECHNISCHES DATENBLATT



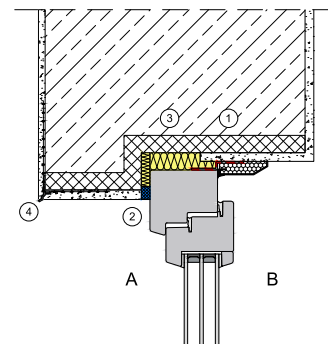
1. Fensterdichtband Universal Euraseal U-305, Fensterdichtband Universal Euraseal U-110, Fensterdichtband Innen Euraseal I-300, Fensterdichtband Universal Euraseal U-300
2. Dichtungsband VKP PLUS, Dichtungsband VKP MAX
3. 1K-Pistolenschaum PURLOGIC Top, 1K-Pistolenschaum PURLOGIC Flex



1. Fensterdichtband Universal Euraseal U-305, Fensterdichtband Universal Euraseal U-111, Fensterdichtband Innen Euraseal I-300, Fensterdichtband Universal Euraseal U-300
2. Dichtungsband VKP PLUS, Dichtungsband VKP MAX
3. 1K-Pistolenschaum PURLOGIC Top, 1K-Pistolenschaum PURLOGIC Flex
4. Tropfkantenprofil UP

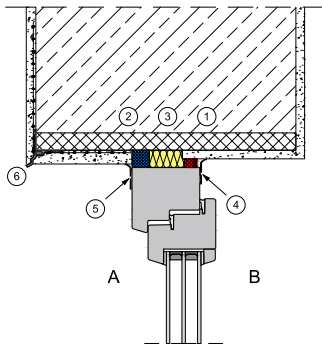


1. PE-Hinterfüllmaterial
2. Dichtungsband VKP PLUS, Dichtungsband VKP MAX
3. 1K-Pistolenschaum PURLOGIC Top, 1K-Pistolenschaum PURLOGIC Flex
4. Tropfkantenprofil UP

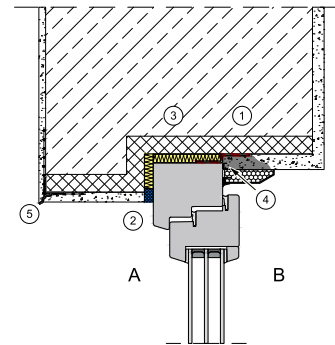


1. Fensterdichtband Universal Euraseal U-305, Fensterdichtband Universal Euraseal U-112, Fensterdichtband Innen Euraseal I-300, Fensterdichtband Universal Euraseal U-300
2. Dichtungsband VKP PLUS, Dichtungsband VKP MAX
3. 1K-Pistolenschaum PURLOGIC Top, 1K-Pistolenschaum PURLOGIC Flex
4. Tropfkantenprofil UP

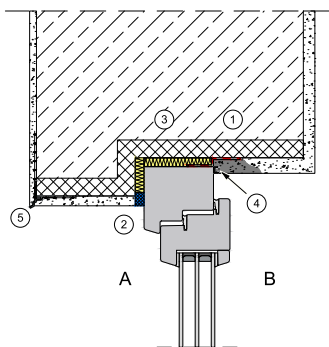
TECHNISCHES DATENBLATT



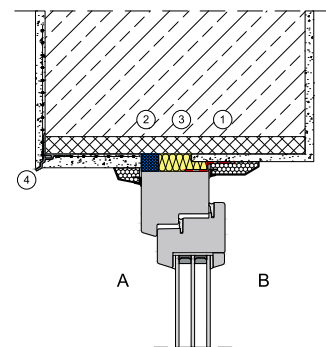
1. PE-Hinterfüllmaterial
2. Dichtungsband VKP PLUS, Dichtungsband VKP MAX
3. 1K-Pistolenschaum PURLOGIC Top, 1K-Pistolenschaum PURLOGIC Flex
4. Flachleiste mit Abdichtung außen, Flachleiste mit Abdichtung
5. Tropfkantenprofil UP



1. Fensterdichtband Universal Euraseal U-305, Fensterdichtband Universal Euraseal U-113, Fensterdichtband Innen Euraseal I-300, Fensterdichtband Universal Euraseal U-300
2. Dichtungsband VKP PLUS, Dichtungsband VKP MAX
3. 1K-Pistolenschaum PURLOGIC Top, 1K-Pistolenschaum PURLOGIC Flex
4. Anputzleiste Standard
5. Tropfkantenprofil UP

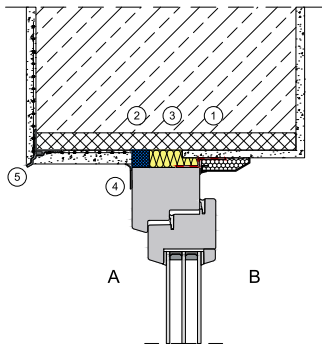


1. Fensterdichtband Universal Euraseal U-305, Fensterdichtband Universal Euraseal U-114, Fensterdichtband Innen Euraseal I-300, Fensterdichtband Universal Euraseal U-300
2. Dichtungsband VKP PLUS, Dichtungsband VKP MAX
3. 1K-Pistolenschaum PURLOGIC Top, 1K-Pistolenschaum PURLOGIC Flex
4. Anputzleiste Standard
5. Tropfkantenprofil UP

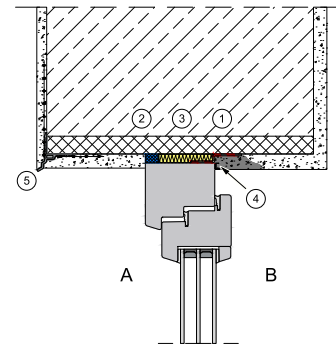


1. Fensterdichtband Universal Euraseal U-305, Fensterdichtband Universal Euraseal U-115, Fensterdichtband Innen Euraseal I-300, Fensterdichtband Universal Euraseal U-300
2. Dichtungsband VKP PLUS, Dichtungsband VKP MAX
3. 1K-Pistolenschaum PURLOGIC Top, 1K-Pistolenschaum PURLOGIC Flex
4. Tropfkantenprofil UP

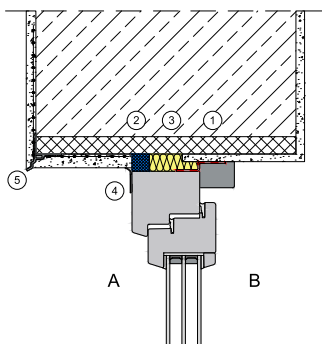
TECHNISCHES DATENBLATT



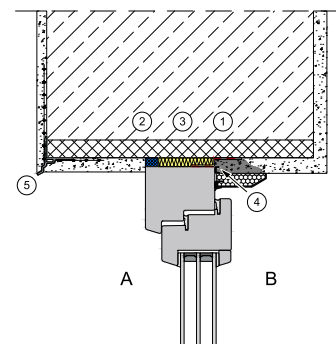
1. Fensterdichtband Universal Euraseal U-305, Fensterdichtband Universal Euraseal U-116, Fensterdichtband Innen Euraseal I-300, Fensterdichtband Universal Euraseal U-300
2. Dichtungsband VKP PLUS, Dichtungsband VKP MAX
3. 1K-Pistolenschäum PURLOGIC Top, 1K-Pistolenschäum PURLOGIC Flex
4. Flachleiste mit Lippe
5. Tropfkantenprofil UP



1. Fensterdichtband Universal Euraseal U-305, Fensterdichtband Universal Euraseal U-117, Fensterdichtband Innen Euraseal I-300, Fensterdichtband Universal Euraseal U-300
2. Dichtungsband VKP PLUS, Dichtungsband VKP MAX
3. 1K-Pistolenschäum PURLOGIC Top, 1K-Pistolenschäum PURLOGIC Flex
4. Anputzleiste Standard
5. Tropfkantenprofil UP

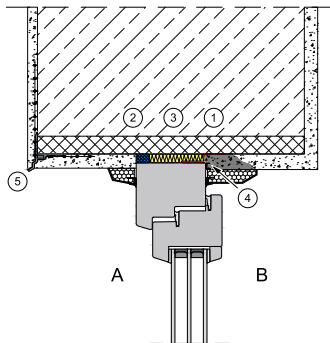


1. Fensterdichtband Universal Euraseal U-305, Fensterdichtband Universal Euraseal U-118, Fensterdichtband Innen Euraseal I-300, Fensterdichtband Universal Euraseal U-300
2. Dichtungsband VKP PLUS, Dichtungsband VKP MAX
3. 1K-Pistolenschäum PURLOGIC Top, 1K-Pistolenschäum PURLOGIC Flex
4. Flachleiste mit Lippe
5. Tropfkantenprofil UP



1. Fensterdichtband Universal Euraseal U-305, Fensterdichtband Universal Euraseal U-119, Fensterdichtband Innen Euraseal I-300, Fensterdichtband Universal Euraseal U-300
2. Dichtungsband VKP PLUS, Dichtungsband VKP MAX
3. 1K-Pistolenschäum PURLOGIC Top, 1K-Pistolenschäum PURLOGIC Flex
4. Anputzleiste Standard
5. Tropfkantenprofil UP

TECHNISCHES DATENBLATT



1. Fensterdichtband Universal Euraseal U-305, Fensterdichtband Universal Euraseal U-120, Fensterdichtband Innen Euraseal I-300, Fensterdichtband Universal Euraseal U-300
2. Dichtungsband VKP PLUS, Dichtungsband VKP MAX
3. 1K-Pistolenschaum PURLOGIC Top, 1K-Pistolenschaum PURLOGIC Flex
4. Anputzleiste Standard
5. Tropfkantenprofil UP

Anwendungsgebiet

Hochwertiges und sicheres Dämmen, Füllen und Isolieren von Fensteranschlüssen, Fensterbankanschlüssen, Rohrdurchführungen, Fugen, Wandanschlüssen, Mauerdurchbrüchen und Hohlräumen. Optischer Einbaunachweis durch Farbgebung.

TECHNISCHES DATENBLATT

Technische Übersichtstabelle für Purlogic® PU-Schäume und Spritzkork																		
Technische Eigenschaften								Hauptanwendungsgebiet										
Würth Produkt Art.-Nr.	Ausbeute freigeschäumt bis zu ...	Klebefrei bei +20°C ab ... min	Schneidbar ab ... min	Entspreizbar ab ... min (Aushärtung)	Verarbeitbar (Untergrund/Umgebung) ab ... °C	Verarbeitbar (Dosentemperatur) ab ... °C	UV-beständig	Bausstoffklasse nach DIN 4102	Thermische Abdichtung zwischen Fensterrahmen und Wand	Schalldämmung bei Fensterfugen	Schalldämmung bei Türzargen	Fixieren und Füllen von Türzargen	Füllen, Abdichten und Dämmen von Hohlräumen	Abdichten und Verfüllen von Anschlussfugen bei Dachelementen	Verfüllen von Rohrdurchbrüchen	Setzen von Bad- und Duschwannen	Verkleben von Treppenstufen	
PURLOGIC® TOP 0892 142 0892 142 1	40 l	7	40	-	- 5	+5	Nein	B2	√	√	○	○	√	√	√	○	○	
PURLOGIC®Flex 0892 142 8	18 l	6	20	-	- 15	0	Nein	B2	√	√	○	○	√	√	√	○	○	
PURLOGIC®EASY 0892 143	30 l	7	12	-	- 5	+5	Nein	B2	√	√	○	○	√	√	√	○	○	
PURLOGIC®FAST 0892 144	10 l	7	15	60	+10	+10	Nein	B2	√	√	√	√	√	√	√	√	○	
PURLOGIC® SPRINT 0892 146	4,3 l	3	9	20	+10	+10	Nein	B2	○	○	√	√	○	○	○	○	√	
PURLOGIC®Turbo 0892 147	5,5 l	1,5	5	20	+10	+10	Nein	B2	○	○	√	√	○	○	○	○	○	
Dispersions-spritzkork 0892 140	500ml	x	x	-	+5	+5	Ja	B2	√	√	○	○	√	√	○	○	○	
PURLOGIC®Premium 0892 142 4	50 l	7	40	-	-5	+5	Nein	B1	√	√	○	○	√	√	√	○	○	
PURLOGIC®Easywhite 0892 143 300	25 l	15	60	-	+5	+5	Nein	B1	√	√	○	○	√	√	√	○	○	

○ = nicht geeignet
√ = geeignet

Anwendungsinformationen

Dose vor Gebrauch 20-mal kräftig schütteln. Untergründe müssen sauber, fest, staub- und fettfrei sein. Stark saugende Untergründe vorbehandeln. Haftflächen müssen vor dem Schäumen mit Wasser befeuchtet werden. Bei mehreren Schaumsträngen zwischenbefeuchten. Dose bis zum Anschlag in Dosenaufnahme an der Pistole eindrehen – nicht überdrehen oder verkanten. Schaum dehnt sich nach dem Ausbringen noch aus. Frische Schaumspritzer sofort mit PURlogic® Clean, Art. Nr. 0892 160, entfernen. Pistole und Ventil nach Gebrauch gründlich reinigen. Angebrochene Dose immer auf der Pistole aufgeschraubt lassen. Die Dose ist innerhalb von 4 Wochen zu verbrauchen.

TECHNISCHES DATENBLATT

Leistungsnachweis

Baukörperanschlussysteme nach ift-Zertifizierungsprogramm QM360: 2014, Reg.-Nr. 188 7050098

EMICODE EC1plus: Sehr emissionsarm - Das Klassifizierungssystem EMICODE zeichnet die Umwelt- und Gesundheitsverträglichkeit von Bauprodukten aus. Die emissionsärmsten Produkte tragen das Zeichen EC1plus.



Hinweis

Erfüllt die Anforderungen nach RAL zur Dämmung der mittleren Dämmebene.

Bei porösen und saugfähigen Untergründen sollte grundiert werden. PURlogic® TOP lässt sich mit den Schaumpistolen PURlogic® Xpress, Art. Nr. 0891 152 4 verarbeiten. Andere Pistolen sind nicht kompatibel!

Fugenschalldämmmaß: RST,w (C;Ctr)	
61 (-1;-3) dB	30 mm Fugenbreite, DIN 52210
59 (-6;-4) dB	10 mm Fugenbreite, DIN 52210

Die Verarbeitungsangaben sind Empfehlungen, die auf unseren Versuchen und Erfahrungen beruhen; vor jedem Anwendungsfall sind Eigenversuche durchzuführen. Aufgrund der Vielzahl der Anwendungen sowie der Lagerungs- und Verarbeitungsbedingungen übernehmen wir keine Gewährleistung für ein bestimmtes Verarbeitungsergebnis. Soweit unser kostenloser Kundendienst technische Auskünfte gibt bzw. beratend tätig wird, erfolgt dies unter Ausschluss jeglicher Haftung, es sei denn, die Beratung bzw. Auskunft gehört zu unserem geschuldeten, vertraglich vereinbarten Leistungsumfang oder der Berater handelte vorsätzlich. Wir gewährleisten gleich bleibende Qualität unserer Produkte, technische Änderungen und Weiterentwicklungen behalten wir uns vor.